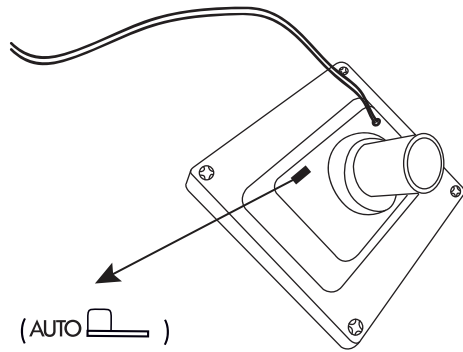


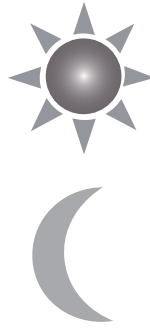
Art.no 480-58

FIRST USE


STEP 1.

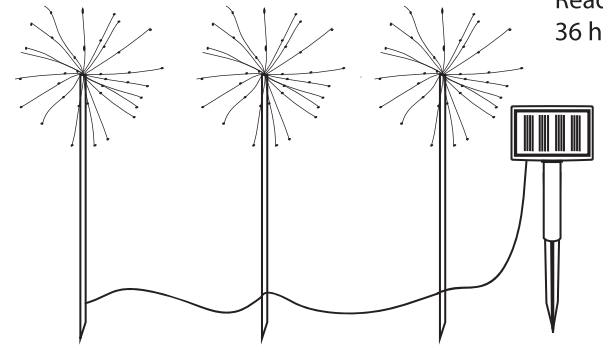


STEP 2.



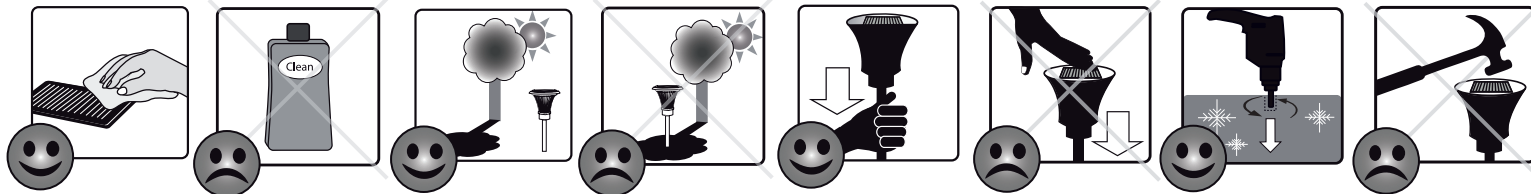
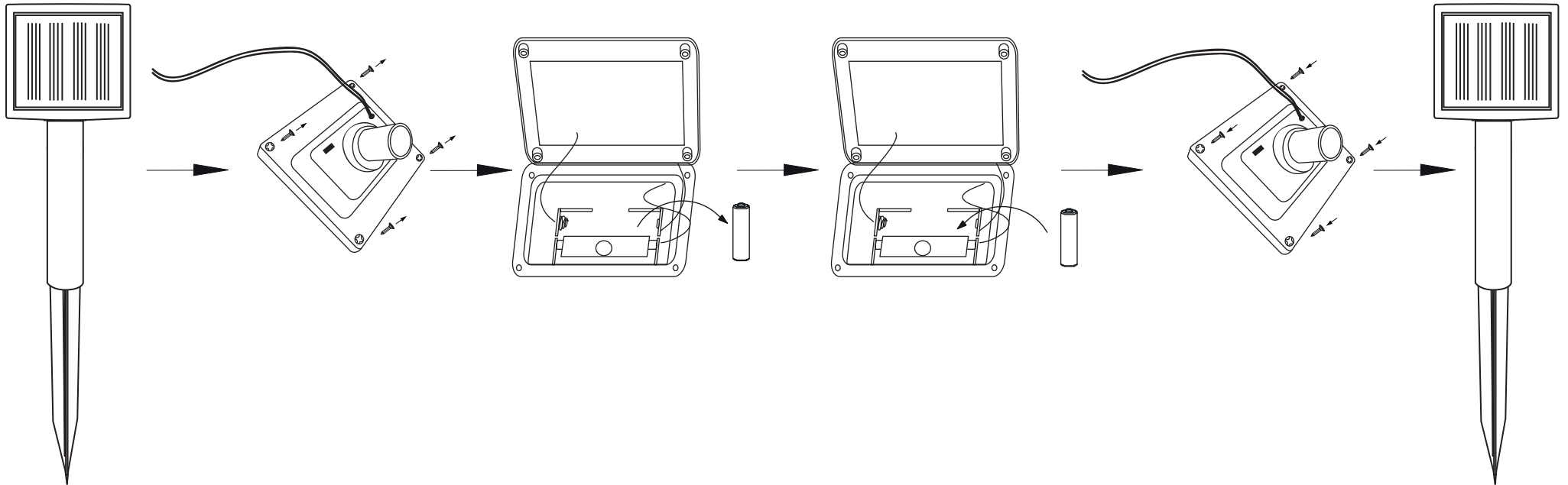
(AUTO )

(OFF )



Ready after
36 h in the sun

BATTERY REPLACEMENT



STAR[®]
TRADING
STAR STREET 1
512 50 SVENLJUNGA
SWEDEN
www.startrading.com