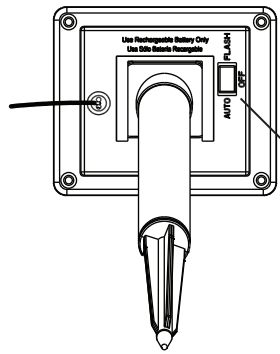


Art.no 482-88

FIRST USE

STEP 1.

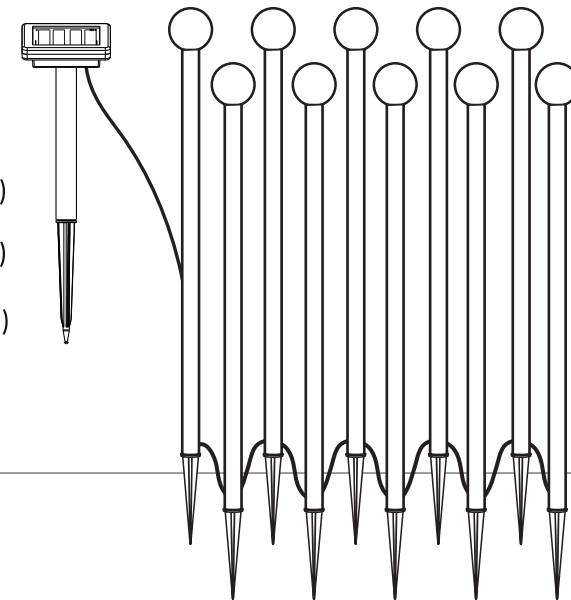


(AUTO OFF FLASH)
OFF

STEP 2.

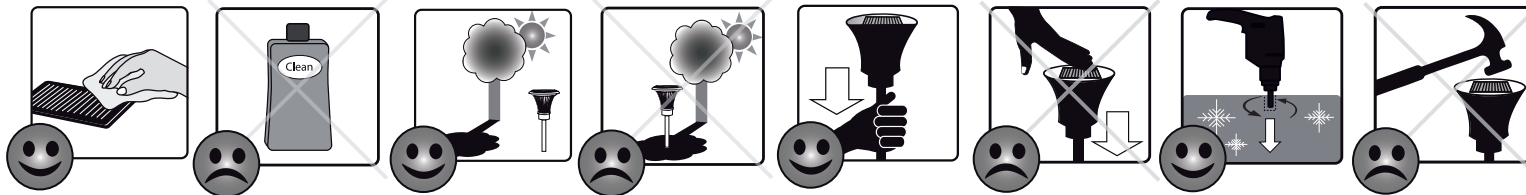
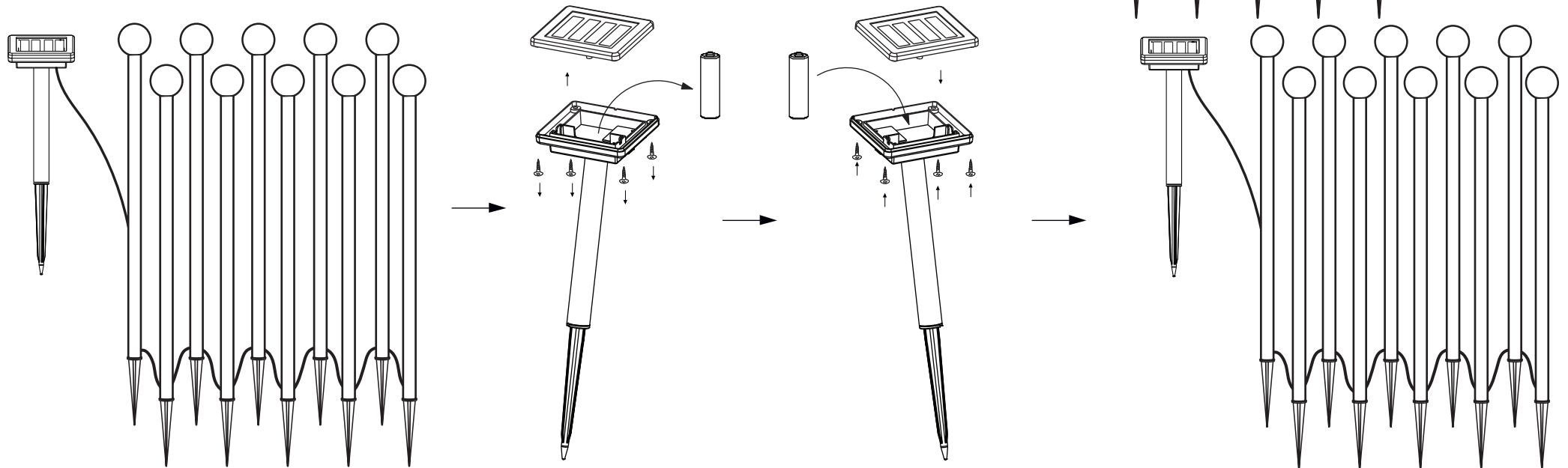


(AUTO OFF FLASH)
OFF
(AUTO OFF FLASH)
OFF
(AUTO OFF FLASH)
OFF



Ready after
36 h in the sun

BATTERY REPLACEMENT



STAR[®]
TRADING
STAR STREET 1
512 50 SVENLJUNGA
SWEDEN
www.startrading.com