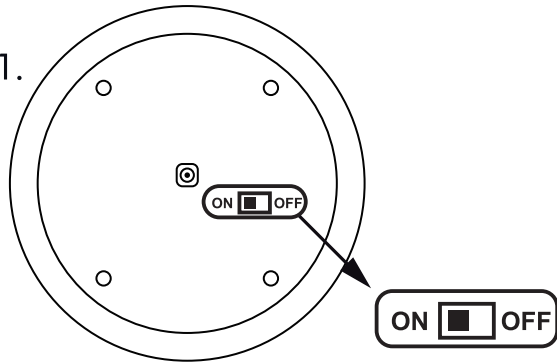


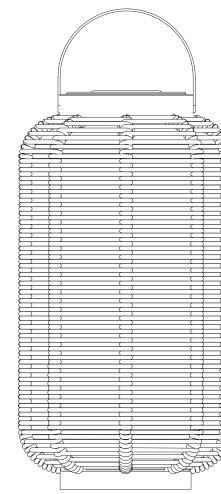
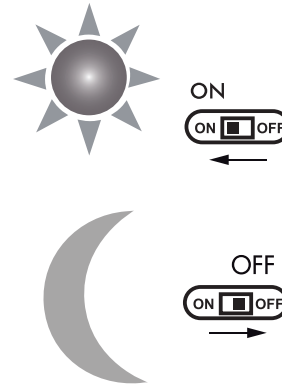
Art.no 482-75

FIRST USE

STEP 1.



STEP 2.

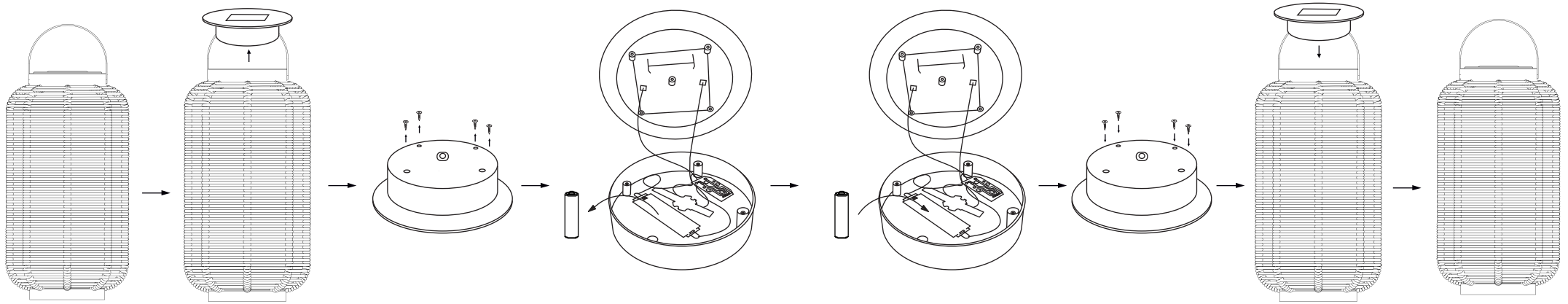


STEP 3.

Ready after
36 h in the sun



BATTERY REPLACEMENT



STAR[®]
TRADING
STAR STREET 1
512 50 SVENLJUNGA
SWEDEN
www.startrading.com