

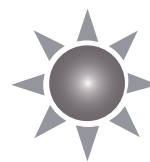
Art.no 481-16

FIRST USE

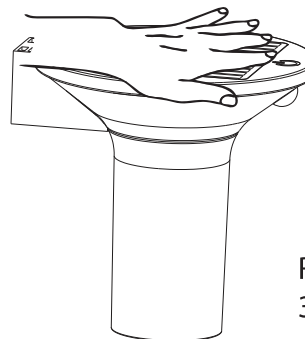
STEP 1.



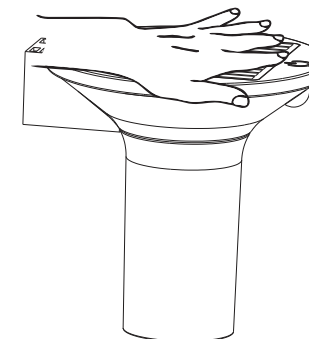
STEP 2.



ON : Press & COVER  
3-5 seconds

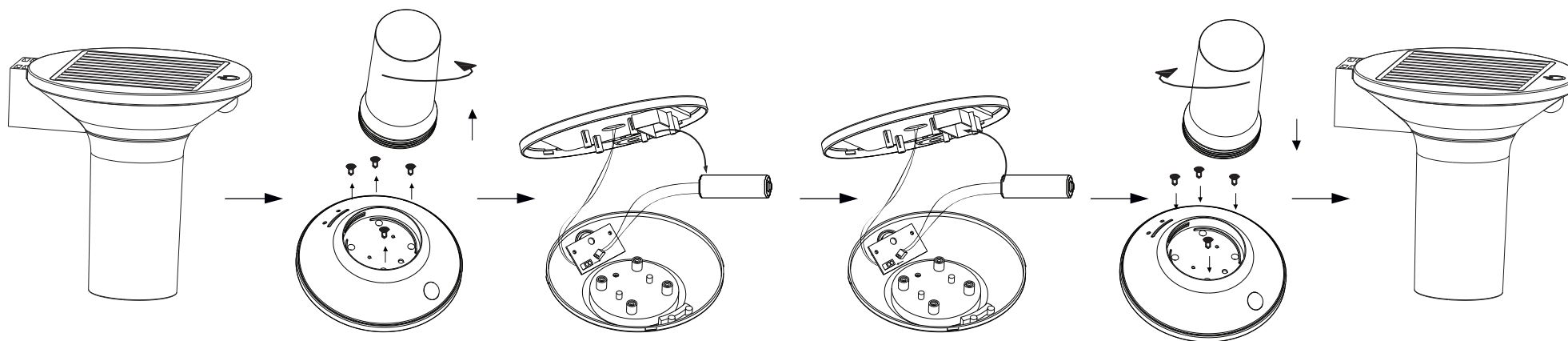


OFF : Press+1  
&COVER  
3-5 seconds

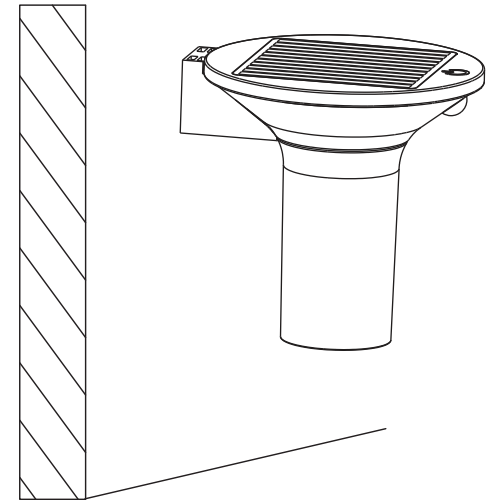
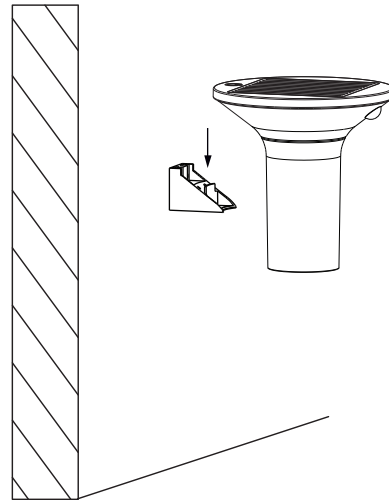
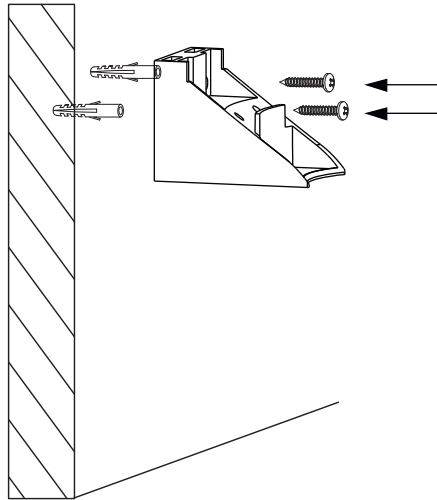
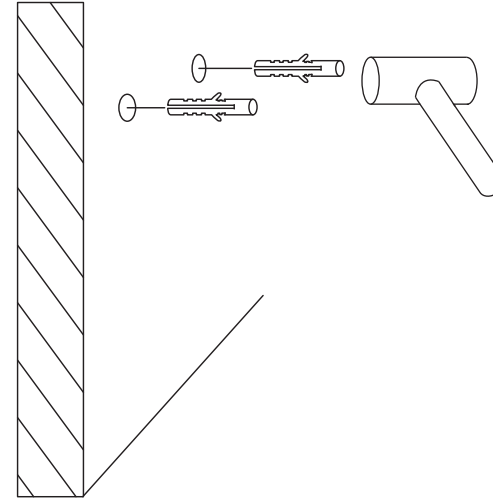
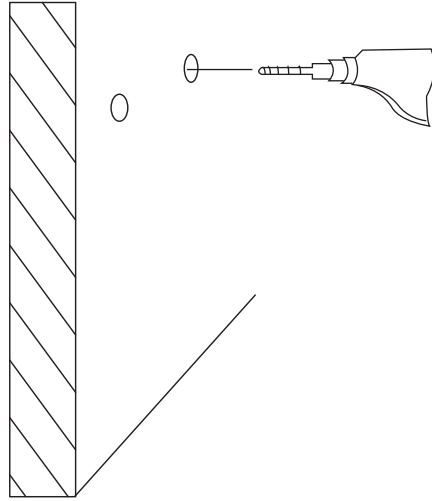
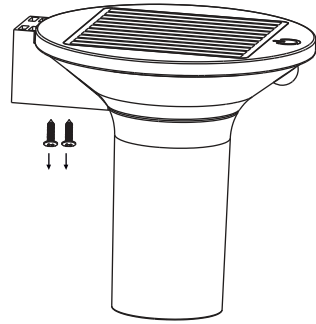
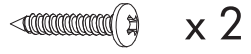
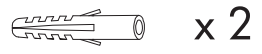


Ready after  
36 h in the sun

### BATTERY REPLACEMENT



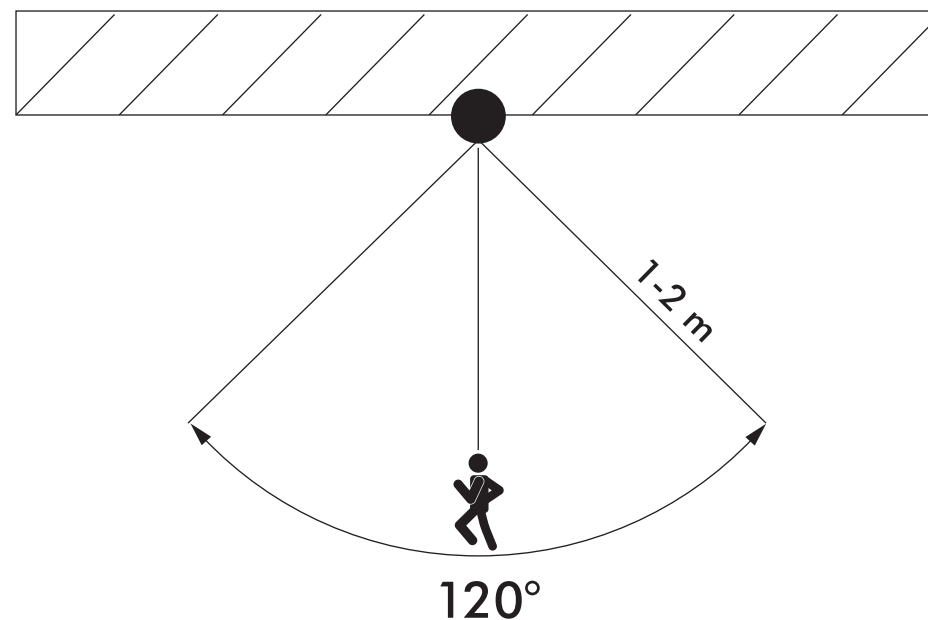
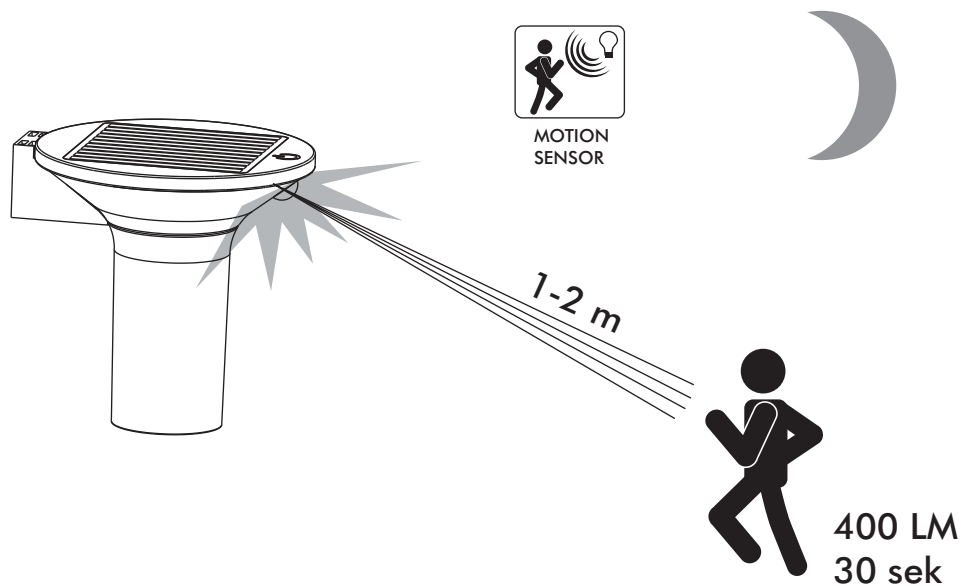
**STAR**<sup>®</sup>  
TRADING  
STAR STREET 1  
512 50 SVENLJUNGA  
SWEDEN  
[www.startrading.com](http://www.startrading.com)



**Art.no 481-16**

**15 LUMEN CONSTANT LIGHT**

**MOTION SENSOR 400 LUMEN FOR 30 SEK**



**STAR**<sup>®</sup>  
TRADING  
STAR STREET 1  
512 50 SVENLJUNGA  
SWEDEN  
[www.startrading.com](http://www.startrading.com)