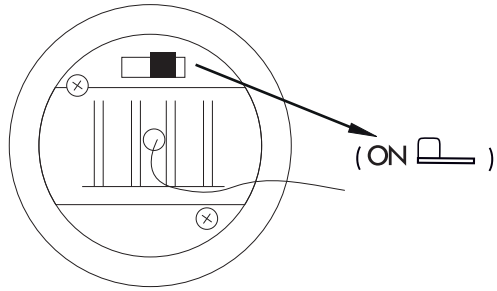


Art.no 480-45


FIRST USE

STEP 1.

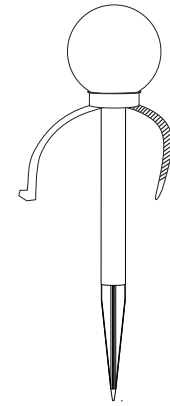


STEP 2.



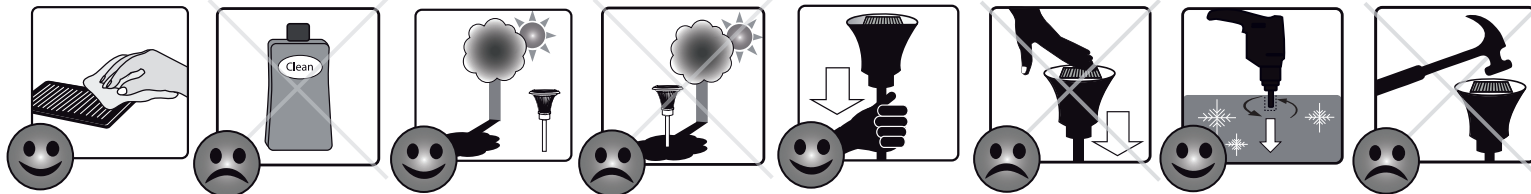
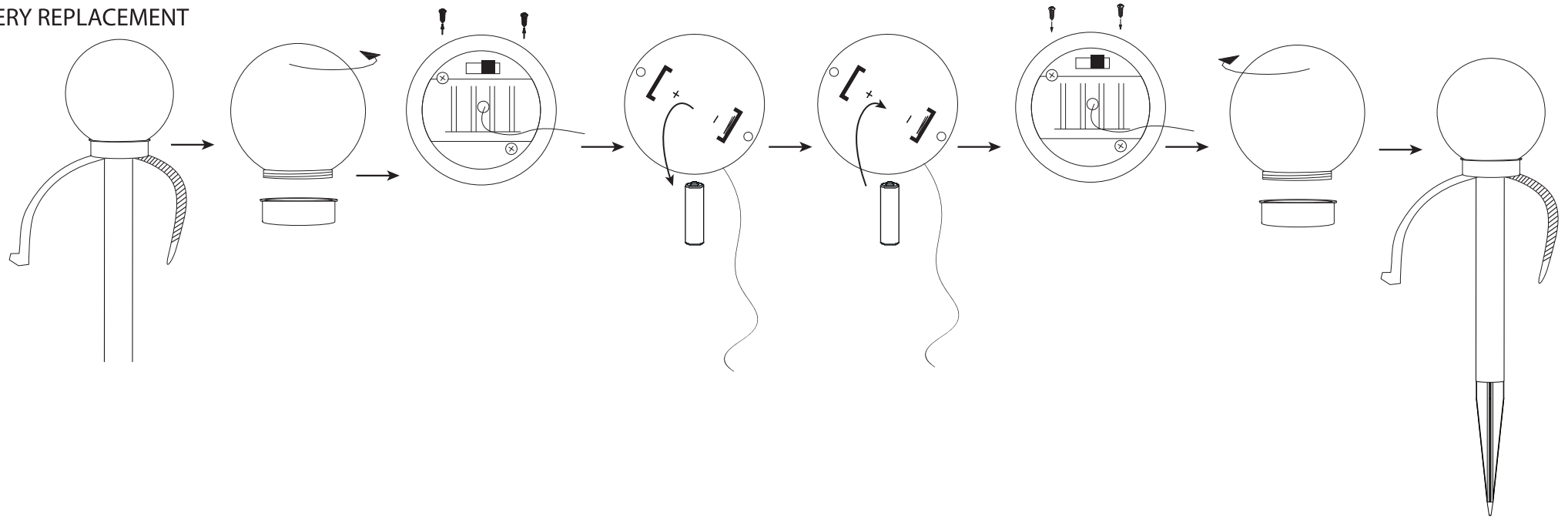
(ON )

(OFF )



Ready after
36 h in the sun

BATTERY REPLACEMENT

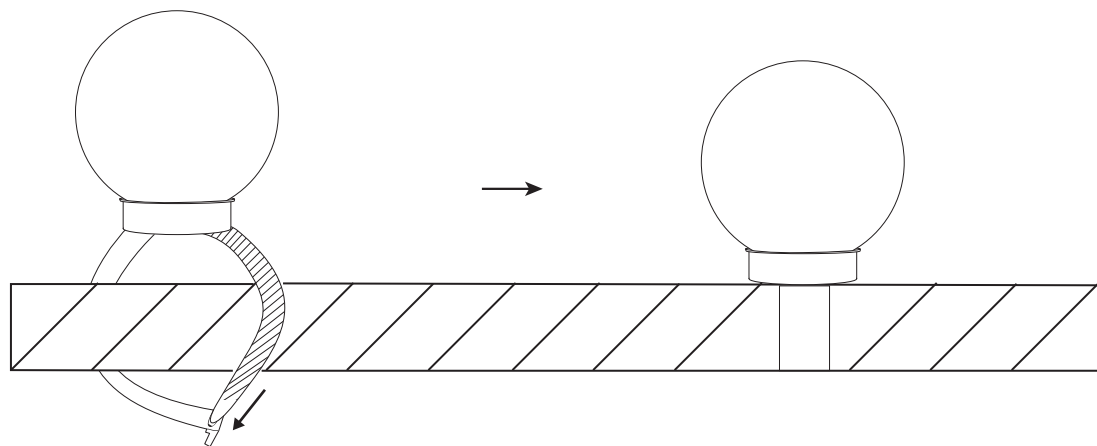


STAR[®]
TRADING
STAR STREET 1
512 50 SVENLJUNGA
SWEDEN
www.startrading.com

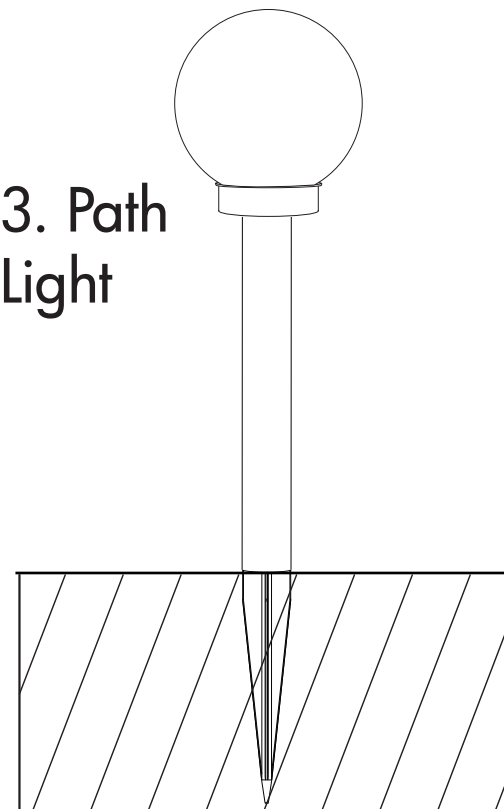
Art.no 480-45

3 IN 1. HOW TO USE

1. Railing



3. Path Light



2. Table

