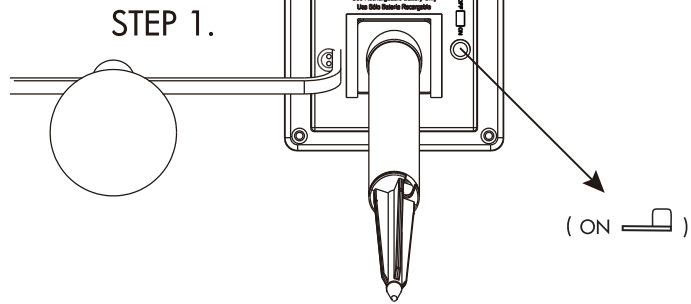
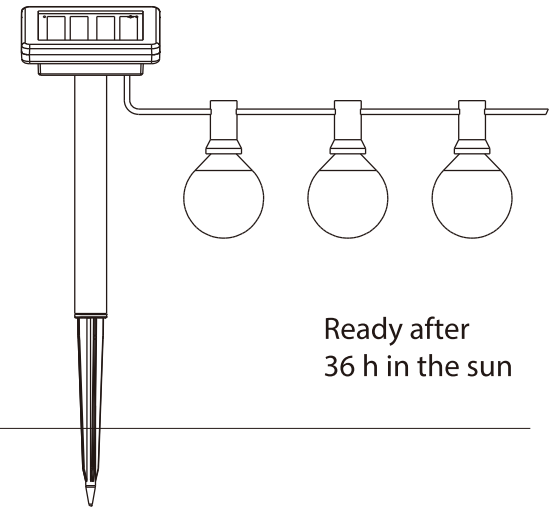
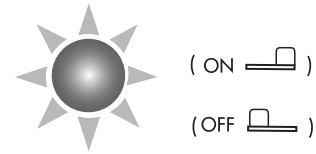


Art.no 481-06

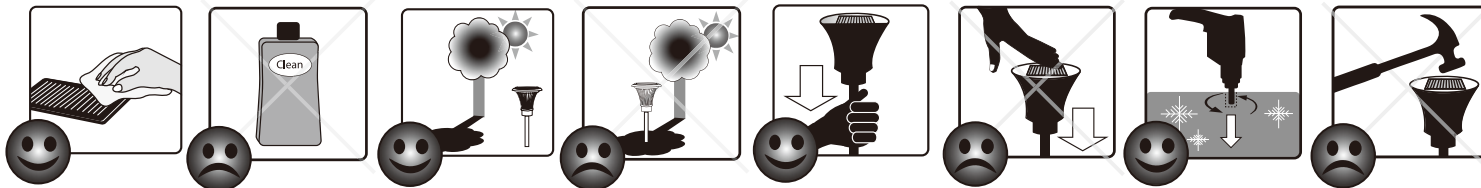
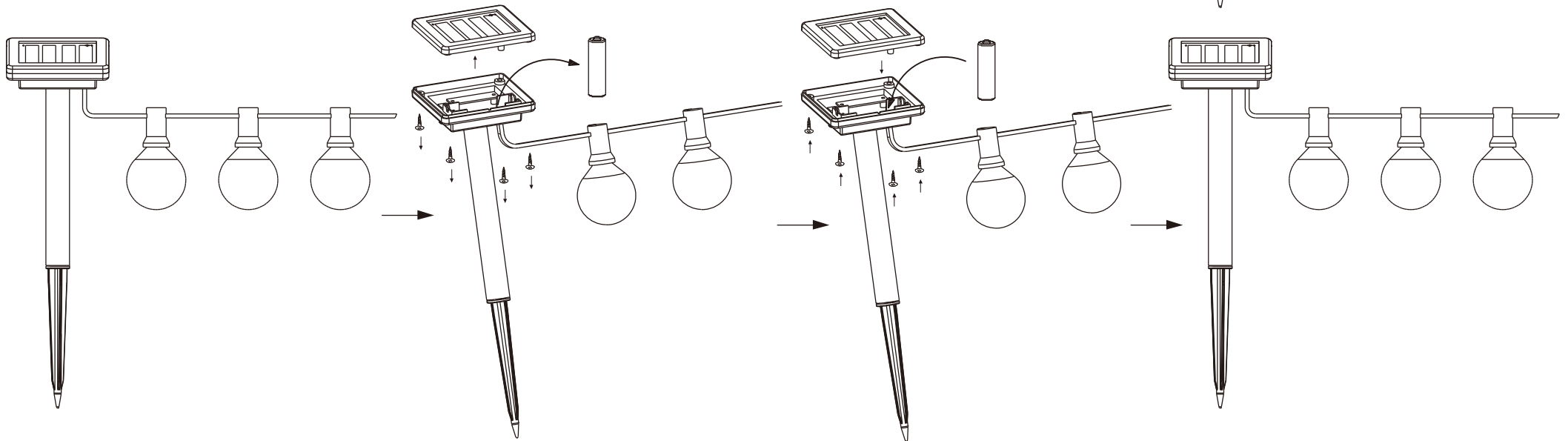
FIRST USE



STEP 2.



BATTERY REPLACEMENT



STAR[®]
TRADING
STAR STREET 1
512 50 SVENJUNGA
SWEDEN
www.startrading.com