

	EAN	Ø x h [mm]
SF CIRCULAR 350 3CCT COVER	4099854064357	350 x 65

	C10 A 	B16 A 	C16 A
SF CIRC 350 V 18W 3CCT IP44	83x	104x	133x
SF CIRC 350 SEN V 18W 3CCT IP44			

LEDVANCE GmbH
 Steinerne Furt 62
 86167 Augsburg, Germany
www.ledvance.com

LEDVANCE Ltd, Aquila House
 Delta Crescent, Westbrook, Warrington
 WA5 7NR, United Kingdom

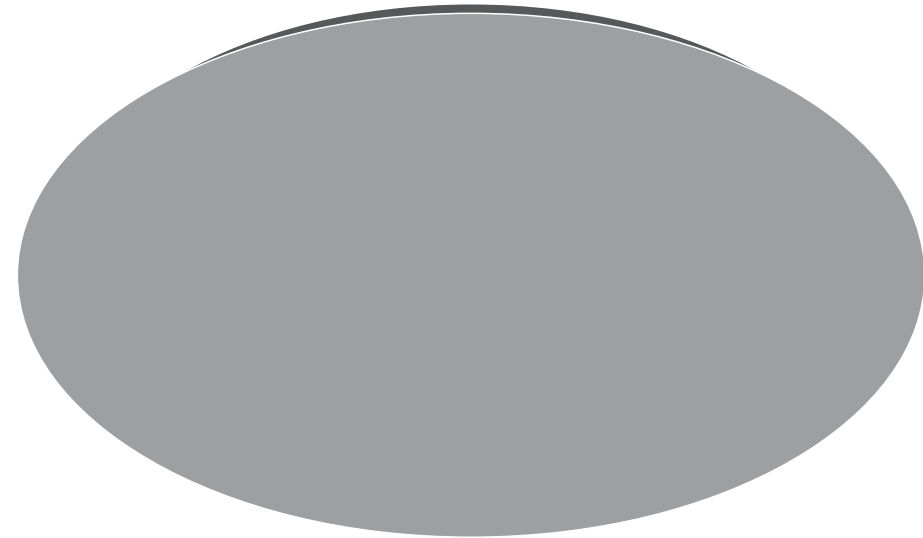
C10449057
 G11159618
 20.03.23

Cet appareil et ses accessoires se recyclent
 À DÉPOSER EN MAGASIN À DÉPOSER EN DÉCHÈTERIE
 Points de collecte sur www.quefairedemesdechets.fr



SURFACE CIRCULAR 350 3CCT

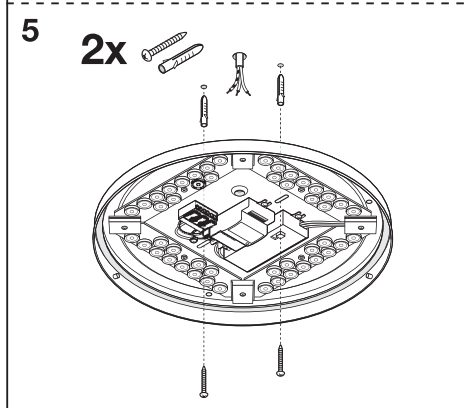
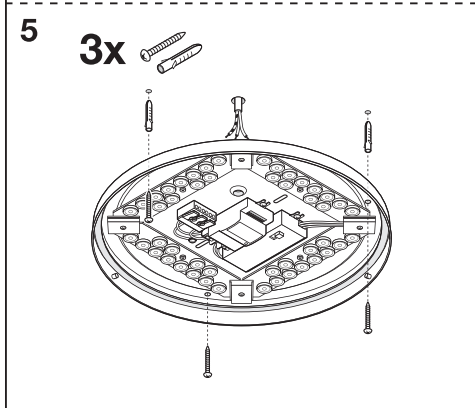
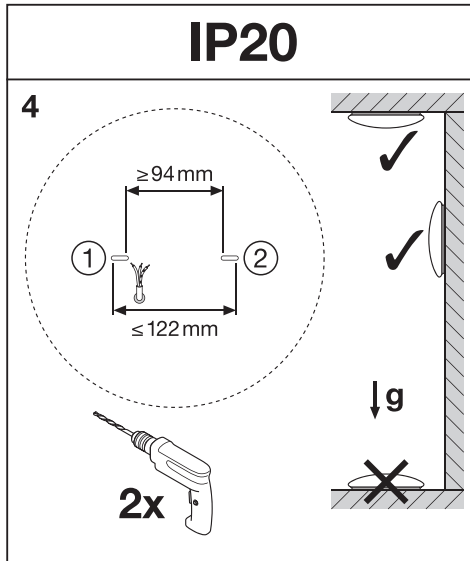
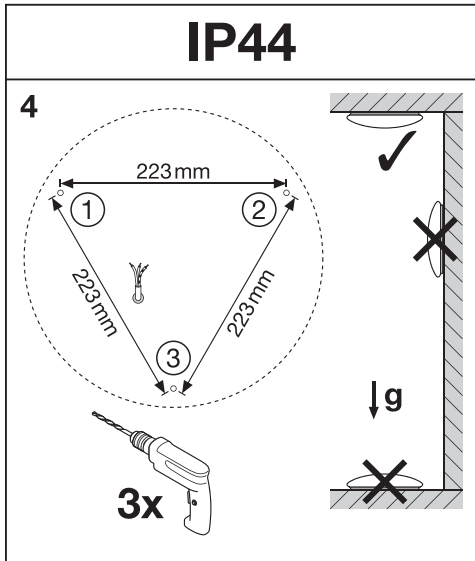
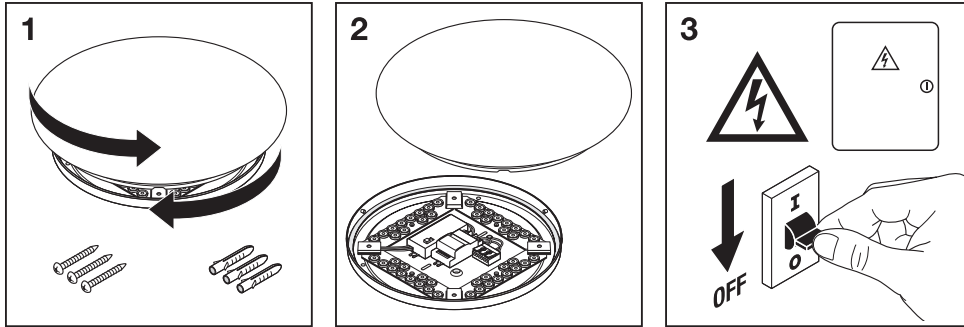
SURFACE CIRCULAR 350 SENSOR 3CCT



	EAN	Ø x h [mm]	W	V _{AC}	Hz	Im	Im/W	K
SF CIRC 350 V 18W 3CCT IP44	4099854042072	350x75	18	220-240	50/60	1440	80	3000/ 4000/5000
SF CIRC 350 SEN V 18W 3CCT IP44	4099854042096	350x75	18	220-240	50/60	1440	80	3000/ 4000/5000

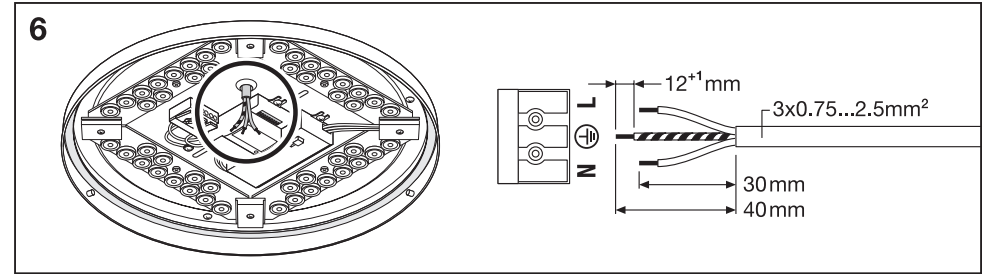
	EAN	IP	IK	∇	R _a	Δ (°C)	PF	⚖
SF CIRC 350 V 18W 3CCT IP44	4099854042072	44	03	120°	> 80	-20...+45	> 0.7	0.6kg
SF CIRC 350 SEN V 18W 3CCT IP44	4099854042096	44	03	120°	> 80	-20...+45	> 0.7	0.6kg

SURFACE CIRCULAR 350 3CCT/350 SENSOR 3CCT



2

SURFACE CIRCULAR 350 3CCT/350 SENSOR 3CCT



SURFACE CIRCULAR 350 SENSOR 3CCT

Detection Area

1	2	3	
ON	ON	ON	100 %
-	ON	ON	75 %
ON	-	ON	50 %
-	-	ON	25 %
-	-	-	10 %

Hold Time

4	5	6	
ON	ON	ON	5 s
-	ON	ON	30 s
ON	-	ON	90 s
-	-	ON	3 min
ON	ON	-	20 min
-	-	-	30 min

Daylight Sensor

7	8	9	
ON	ON	ON	2 LUX
ON	ON	-	10 LUX
-	ON	-	25 LUX
ON	-	-	50 LUX
-	-	-	Disable

3